



QUALITÄT aus **ERFAHRUNG**

QUALITÉ validée par l'**EXPÉRIENCE**

QUALITY from **EXPERIENCE**

TOMAC
The Private Label Company

Kompakt-Steckschlüsselsatz Jeu de clés à douilles compact Compact socket wrench set

39
PCS

1/4"

1/4"



NEU
NOUVEAU
NEW

ab / à partir de / from
04-2023

inkl. Mwst / T.T.C.

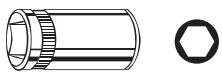
38.-

exkl. Mwst / H.T.

35.30

±165 x 95 x 48 mm / 765 g

1/4"



9 5.5 - 6 - 7 - 8 - 9 - 10
11 - 12 - 13 mm

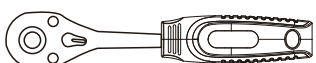


1 1/4" □ 1/4" □

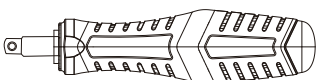


2 50 - 100 mm

72

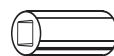


1 1/4" □



1 1/4" ■

1/4"



1 1/4" □ 1/4" □



5 3 - 4 - 5 - 6 - 7 mm



4 PH0 - PH1 - PH2 - PH3



4 PZ0 - PZ1 - PZ2 - PZ3



7 T10 - T15 - T20 - T25
T27 - T30 - T40



4 3 - 4 - 5 - 6 mm

T M C

Art. TC0119

Steckschlüsselsatz in ABS-Kasten

Jeu de clés à douilles en boîte en ABS

Socket wrench set in ABS case

44
PCS

1/4"

1/4"

NEU
NOUVEAU





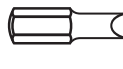


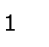

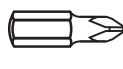


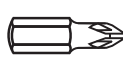


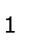

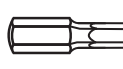

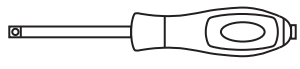
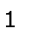



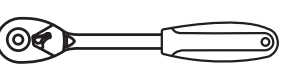
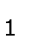




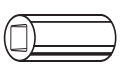

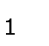





NEW

ab / à partir de / from
04-2023



inkl. Mwst / T.T.C.
39.50
exkl. Mwst / H.T.
36.70

±195 x 130 x 38 mm / 889 g

- | | | | | | | | | | |
|--|---|---|----|---|---|--|---|---|--|
|  |  |  | 13 | 4 - 4.5 - 5 - 5.5 - 6 - 7 - 8 - 9
10 - 11 - 12 - 13 - 14 mm |  |  |  | 3 | 4.5 - 5.5 - 6.5 mm |
| |  | | 1 | 1/4"  1/4"  | |  |  | 3 | PH1 - PH2 - PH3 |
| |  | | 1 | 100 mm | |  |  | 2 | PZ1 - PZ2 |
| |  | | 1 | 3/8"  1/4"  | |  |  | 6 | T10 - T15 - T20
T25 - T30 - T40 |
| |  | | 1 | 1/4"  | |  |  | 5 | 3 - 4 - 5 - 6 - 8 mm |
|  |  | | 1 | 1/4"  | |  |  | 1 | 1/4"  1/4"  |
| |  |  | 1 | 1/4"  1/4"  | |  |  | 1 | 60 mm |
| | | | | | |  |  | 4 | 1.25 - 1.5 - 2 - 2.5 mm |

Steckschlüsselkoffer Coffret de clés à douilles Socket wrench case











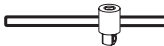





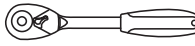


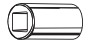





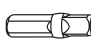






**85
PCS**



Hard top
EVA

inkl. MwSt / T.T.C.
49.50
exkl. MwSt / H.T.
45.95

±180 x 265 x 65 mm / 1500 g

			13	4 - 4.5 - 5 - 5.5 - 6 7 - 8 - 9 - 10 - 11 12 - 13 - 14 mm		+	5	PH0 - PH1 - PH2 - PH3 - PH4
			1	1/4"  1/4" 		*	4	PZ0 - PZ1 - PZ2 - PZ3
			2	50 mm / 100 mm		*	15	T8 - T10x2 - T15x2 - T20x2 T25x3 - T27 - T30x2 - T40x2
			1	110 mm		*	8	TT8 - TT10 - TT15 - TT20 - TT25 TT27 - TT30 - TT40
			1	1/4" 		●	6	3 - 4 - 5 - 6 - 7 - 8 mm
			1	1/4" 		●	5	2 - 3 - 4 - 5 - 6 mm
			1	1/4"  1/4" 		●	4	4 - 6 - 8 - 10 mm
			1	1/4" 		●	4	No. 1 - No. 2 - No. 3 - No. 4
			6	4 - 4.5 - 5.5 - 6 - 6.5 - 8 mm		●	3	6 - 8 - 10 mm
			6	4 - 4.5 - 5.5 - 6 - 6.5 - 8 mm		●	4	1.25 - 1.5 - 2 - 2.5 mm

Steckschlüsselkoffer Coffret de clés à douilles Socket wrench case

50
PCS


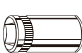





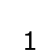
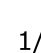





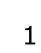
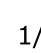



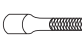
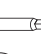
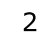


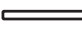

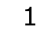




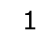
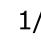



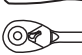

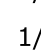
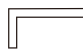

1/4"



Hard top
EVA

inkl. Mwst / T.T.C.
55.-
exkl. Mwst / H.T.
51.05

±180 x 265 x 65 mm / 1500 g

- | | | | | | | | | |
|---|---|---|----|---|---|--|---|---|
|  |  |  | 13 | 4 - 4.5 - 5 - 5.5 - 6 - 7 - 8
9 - 10 - 11 - 12 - 13 - 14 mm |  |  | 3 | 4 - 5.5 - 6.5 mm |
|  |  |  | 1 | 1/4"  1/4"  |  |  | 4 | PH0 - PH1 - PH2 - PH3 |
|  |  |  | 1 | 1/4"  1/4"  |  |  | 4 | PZ0 - PZ1 - PZ2 - PZ3 |
|  |  |  | 2 | 50 mm / 100 mm |  |  | 8 | T8 - T10 - T15 - T20
T25 - T27 - T30 - T40 |
|  |  |  | 1 | 110 mm |  |  | 6 | 3 - 4 - 5 - 6 - 7 - 8 mm |
|  |  |  | 1 | 1/4"  |  |  | 5 | 1.25 - 1.5 - 2 - 2.5 - 3 mm |
|  |  |  | 1 | 1/4"  |  |  | | |

Steckschlüsselkoffer Coffret de clés à douilles Socket wrench case

69
PCS


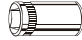

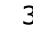







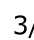





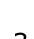






3/8" 5/16"



Hard top
EVA

inkl. Mwst / T.T.C.
128.-
exkl. Mwst / H.T.
118.85

±275 x 345 x 80 mm / 4000 g

		19	5.5 - 6 - 7 - 8 - 9 - 10 - 11 - 12 - 13 14 - 15 - 16 - 17 - 18 - 19 - 20 - 21 22 - 24 mm		1	3/8"  5/16" 
		10	8 - 10 - 11 - 12 - 13 - 14 15 - 17 - 19 - 22 mm		3	5.5 - 7 - 8 mm
		2	16 - 21 mm		4	PH1 - PH2 - PH3 - PH4
		1	3/8"  3/8" 		4	PZ1 - PZ2 - PZ3 - PZ4
		2	75 mm / 150 mm		10	TT8 - TT10 - TT15 - TT20 TT25 - TT27 - TT30 - TT40 TT45 - TT50
		1	3/8"  3/8" 		7	3 - 4 - 5 - 6 - 7 - 8 - 10 mm
		1	3/8" 		4	M6 - M8 - M10 - M12

Steckschlüsselkoffer Coffret de clés à douilles Socket wrench case

45
PCS

1/2" 5/16"



Hard top
EVA

±275 x 345 x 80 mm / 5500 g

inkl. Mwst / T.T.C.
138.-
exkl. Mwst / H.T.
128.15

1/2" 16 8 - 10 - 11 - 12 - 13 - 14
15 - 16 - 17 - 18 - 19 - 22
24 - 27 - 30 - 32 mm

9 10 - 12 - 13 - 14 - 15
17 - 19 - 22 - 24 mm

2 16 - 21 mm

1 1/2" ○ 1/2" ◻

2 125 mm / 250 mm

1 3/8" ○ 1/2" ◻

45 1 1/2"

1 1/2" ○ 5/16" ○

5/16" 2 PH1 - PH2

4 TT20 - TT25 - TT30 - TT40

6 3 - 4 - 5 - 6 - 8 - 10 mm

Steckschlüsselkoffer Coffret de clés à douilles Socket wrench case

115
PCS



Hard top
EVA

±304 x 423 x 95 mm / 6700 g

inkl. Mwst / T.T.C.
188.-
exkl. Mwst / H.T.
174.55

- 12 4 - 4.5 - 5 - 5.5 - 6 - 7 - 8
9 - 10 - 11 - 12 - 13 mm
- 1 1/4" □ 1/4" □
- 2 50 mm / 100 mm
- 1 1/4"
- 1 1/4" ■
- 1 1/4" □
- 1 1/4" □ 1/4" ○
- 1 1/4" ■
- 3 4 - 5.5 - 6.5 mm
- 3 PH0 - PH1 - PH2
- 3 PZ0 - PZ1 - PZ2
- 8 T8 - T10 - T15 - T20 - T25 - T27
T30 - T40
- 8 TT8 - TT10 - TT15 - TT20 - TT25
TT27 - TT30 - TT40
- 4 3 - 4 - 5 - 6 mm
- 4 4 - 6 - 8 - 10 mm
- 4 No. 1 - No. 2 - No. 3 - No. 4
- 3 6 - 8 - 10 mm
- 4 1.25 - 1.5 - 2 - 2.5 mm

- 15 10 - 13 - 14 - 15 - 16 - 17 - 18 - 19
20 - 21 - 22 - 24 - 27 - 30 - 32 mm
- 5 10 - 13 - 17 - 19 - 22 mm
- 2 16 - 21 mm
- 1 1/2" □ 1/2" □
- 2 125 mm / 250 mm
- 1 3/8" □ 1/2" □
- 1 1/2" □
- 1 1/2" □ 5/16" ○
- 2 7 - 8 mm
- 2 PH3 - PH4
- 2 PZ3 - PZ4
- 2 T45 - T50
- 3 7 - 8 - 10 mm
- 4 M6 - M8 - M10 - M12
- 8 8 - 10 - 11 - 12 - 13 - 14 - 17 - 19 mm

Universal-Steckschlüsselkoffer Coffret universel de clés à douilles Universal socket wrench case

250
PCS



inkl. MwSt / T.T.C.
238.-
exkl. MwSt / H.T.
221.-

±395 x 485 x 114 mm / 10'000 g

- | | | | | | | | | | | |
|--|--|----|--|--|----|--|----------------|--|----|---|
| | | 13 | 4 - 4.5 - 5 - 5.5 - 6 - 7 - 8
9 - 10 - 11 - 12 - 13 - 14 mm | | 6 | 3 - 4 - 5 - 6 - 7 - 8 mm | | | 12 | 0.7 - 0.9 - 1.3 - 1.5 - 2.0
2.5 - 3 - 3.5 - 4 - 4.5 - 5 - 6 mm |
| | | 5 | E4 - E5 - E6 - E7 - E8 | | 6 | 2 - 2.5 - 3 - 4 - 5 - 6 mm | | | 4 | T3 - T4 - T5 - T6 |
| | | 1 | 1/4" 1/4" | | 9 | T8 - T9 - T10 - T15 - T20
T25 - T27 - T30 - T40 | | | 6 | TT7 - TT8 - TT9 - TT10 - TT15 - TT20 |
| | | 1 | 1/4" 1/4" | | 9 | TT8 - TT9 - TT10 - TT15 - TT20
TT25 - TT27 - TT30 - TT40 | | | 3 | P2 - P5 - P6 |
| | | 2 | 50 mm / 100 mm | | 9 | TS8 - TS9 - TS10 - TS15 - TS20
TS25 - TS27 - TS30 - TS40 | | | 3 | R0 - R1 - R2 |
| | | 1 | 110 mm | | 9 | TS8 - TS9 - TS10 - TS15 - TS20
TS25 - TS27 - TS30 - TS40 | | | 5 | PH000 - PH00 - PH0 - PH1
PH2 |
| | | 1 | 150 mm | | 9 | TS8 - TS9 - TS10 - TS15 - TS20
TS25 - TS27 - TS30 - TS40 | | | 4 | J000 - J00 - J0 - J1 |
| | | 1 | 1/4" | | 4 | 4 - 6 - 8 - 10 mm | | | 1 | 3 |
| | | 1 | 1/4" | | 4 | M4 - M5 - M6 - M8 | | | 1 | 0.8 |
| | | 9 | 10 - 13 - 15 - 16 - 18 - 24
27 - 30 - 32 mm | | 3 | 6 - 8 - 10 mm | | | 7 | 1 - 1.5 - 2 - 2.5 - 3 - 3.5 - 4 mm |
| | | 4 | 17 - 19 - 21 - 22 mm | | 4 | No. 1 - No. 2 - No. 3 - No. 4 | | | 2 | 0 - 1 |
| | | 8 | E10 - E12 - E14 - E16 - E18 - E20
E22 - E24 | | 2 | R1 - R2 | | | 5 | 2.5 - 3 - 3.5 - 4 - 5 mm |
| | | 2 | 16 - 21 mm | | 1 | 1/4" | | | 1 | +- |
| | | 1 | 1/2" 1/2" | | 1 | 60 mm | | | 1 | 143 mm |
| | | 1 | 1/2" 5/16" | | | 3 | 8 - 10 - 12 mm | | 1 | 95 mm |
| | | 2 | 125 mm / 250 mm | | 4 | PH1 - PH2 - PH3 - PH4 | | | 1 | 25 mm |
| | | 1 | 3/8" 1/2" | | 4 | PZ1 - PZ2 - PZ3 - PZ4 | | | 1 | 1/4" |
| | | 1 | 1/2" | | 12 | T10 - T15 - T20 - T25 - T27 - T30
T35 - T40 - T45 - T50 - T55 - T60 | | | 1 | 1/4" |
| | | 5 | 4 - 4.5 - 5.5 - 6 - 6.5 mm | | 7 | TT25 - TT27 - TT30 - TT35 - TT40 -
TT45 - TT50 | | | 9 | 1.5 - 2 - 2.5 - 3 - 4 - 5 - 6 - 8 - 10 mm |
| | | 5 | PH0 - PH1 - PH2 - PH3 - PH4 | | 2 | M10 - M12 | | | 12 | 6 - 8 - 10 - 11 - 12 - 13 - 14 - 15
16 - 17 - 18 - 19 mm |
| | | 5 | PZ0 - PZ1 - PZ2 - PZ3 - PZ4 | | 3 | 10 - 12 - 14 mm | | | | |

Universal-Werkzeugkoffer Coffret d'outils universels Universal tool case

104
PCS


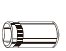














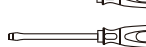
















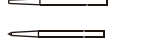
































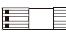




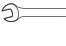








3/8" **1/4"**

Hard top
EVA



inkl. MwSt / T.T.C.
228.-
exkl. MwSt / H.T.
211.70

±395 x 485 x 114 mm / 8500 g

- | | | | | | | | |
|--|---|----|---|--|---|----|---|
|  |  | 18 | 5.5 - 6 - 7 - 8 - 9 - 10 - 11 - 12 - 13 - 14 - 15 - 16 - 17 - 18 - 19 - 21 - 22 - 24 mm |  |  | 9 | 1.5 - 2 - 2.5 - 3 - 4 - 5 - 6 - 8 - 10 mm |
|  |  | 2 | 16 - 21 mm |  |  | 1 | 110 - 250 V |
|  |  | 1 | 3/8"  3/8"  |  |  | 1 | 1/4" |
|  |  | 1 | 150 mm |  |  | 2 | PH1 - PH2 |
|  |  | 1 | 3/8"  3/8"  |  |  | 3 | 3.5 - 5.5 - 6.5 mm |
|  |  | 1 | 3/8"  1/4"  |  |  | 1 | 150 mm |
|  |  | 1 | 3/8"  |  |  | 1 | 3 X 125 mm |
|  |  | 1 | 3/8"  1/4"  |  |  | 1 | 2 X 120 mm |
|  |  | 4 | 4 - 5.5 - 6.5 - 8 mm |  |  | 1 | 300 g |
|  |  | 4 | PH0 - PH1 - PH2 - PH3 |  |  | 1 | 5 m x 19 mm |
|  |  | 3 | PZ1 - PZ2 - PZ3 |  |  | 1 | 180 mm |
|  |  | 7 | T10 - T15 - T20 - T25 - T27 - T30 - T40 |  |  | 1 | 175 mm |
|  |  | 7 | TT10 - TT15 - TT20 - TT25 - TT27 - TT30 - TT40 |  |  | 1 | 250 mm |
|  |  | 6 | 3 - 4 - 5 - 6 - 7 - 8 mm |  |  | 1 | 200 mm |
|  |  | 1 | 1/4"  |  |  | 1 | 18 mm |
|  |  | 1 | 1/4"  1/4"  |  |  | 10 | 18 mm |
|  |  | 1 | LED | | | | |
|  |  | 8 | 8 - 10 - 11 - 12 - 13 - 14 - 17 - 19 mm | | | | |

Universal-Alu-Werkzeugkoffer Coffret alu d'outils universels Universal alu tool case

180
PCS

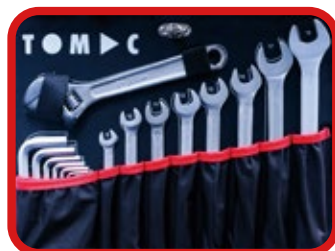
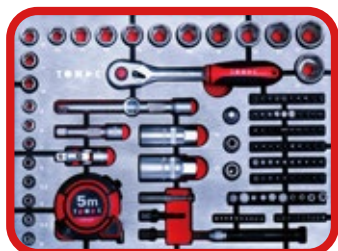
inkl. Mwst / T.T.C.
198.-
exkl. Mwst / H.T.
183.25

1/4" 3/8" 4mm 1/4" 5/16"

- | | |
|--|---|
| <ul style="list-style-type: none"> 1/4" 8 4 - 4.5 - 5 - 5.5 - 6
7 - 8 - 9 mm 3/8" 14 10 - 11 - 12 - 13 - 14 - 15 - 16 - 17
18 - 19 - 20 - 21 - 22 - 24 mm 1 3/8" 3/8" 2 75 mm / 150 mm 1 3/8" 3/8" 2 16 mm / 21 mm 1 60 mm 1 50 mm 3/8" 1/4" 1 30 mm 3/8" 1/4" 1 3/8" 5/16" 1 3/8" 1/4" 1 3/8" 1/4" 4.5 1 3/8" 1/4" 6 4 - 4.5 - 5.5 - 6 - 6.5 - 8 mm 4 PZ0 - PZ1 - PZ2 - PZ3 6 3 - 4 - 5 - 6 - 7 - 8 mm 4 4 - 6 - 8 - 10 mm 5 2 - 3 - 4 - 5 - 6 mm 3 6 - 8 - 10 mm 4 No. 1 - No. 2 - No. 3 - No. 4 14 T8 - T10 x 2 - T15 x 2 - T20 x 2
T25 x 2 - T27 - T30 x 2 - T40 x 2 5 PH0 - PH1 - PH2 - PH3 - PH4 8 TT8 - TT10 - TT15 - TT20 - TT25
TT27 - TT30 - TT40 1 1/4" 5/16" 2 10 - 12 mm 4 T45 - T50 - T55 - T60 4 TT45 - TT50 - TT55 - TT60 5M 1 5 x 19 mm 1 130 mm 4mm 3 1.5 - 2 - 2.5 mm 2 PH0 - PH1 2 PZ0 - PZ1 7 T4 - T5 - T6 - T7 - T8 - T10 - T15 3 0.7 - 0.9 - 1.3 mm 3 2 - 2.5 - 3 mm | <ul style="list-style-type: none"> 9 1.5 - 2 - 2.5 - 3 - 4
5 - 6 - 8 - 10 mm 1 200 mm 8 8 - 10 - 11 - 12
13 - 14 - 17 - 19 mm 1 160 mm 1 180 mm 1 200 mm 1 110 - 250 V 4 3.5 x 75 mm
4.0 x 100 mm
5.5 x 100 mm
6.5 x 100 mm 2 PH1 x 100 mm
PH2 x 100 mm 1 1/4 x 100 mm 1 150 mm 5 150 mm 4 18 mm 10 18 mm 1 250 mm 1 300 g 1 300 mm 1 60 mm |
|--|---|



±393 x 293 x 150 mm / 8500 g



Universal-Alu-Werkzeugkoffer




Coffret alu d'outils universels

Universal alu tool case

282
PCS

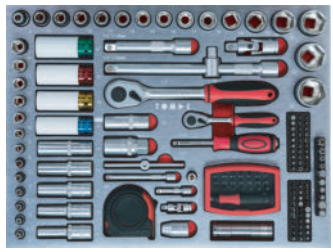
inkl. Mwst / T.T.C.
444.-
exkl. Mwst / H.T.
412.25

- 1/4"
- 1/2"
- 4mm
- 1/4"
- 5/16"

- | | | | |
|--|--|---|--------------------------------------|
|  | 13 4 - 4.5 - 5 - 5.5 - 6 - 7 - 8
9 - 10 - 11 - 12 - 13 - 14 mm |  | 5 3.5 - 4.0 - 5.5 - 6.5 - 8.0 mm |
|  | 1 1/4"  |  | 1 6.5 mm |
|  | 1 1/4"  |  | 2 PH1 - PH2 |
|  | 2 50 mm / 100 mm |  | 1 PH2 |
|  | 1 110 mm |  | 1 1/4" |
|  | 1 1/4"  |  | 1 110 - 250 V |
|  | 1 1/4"  |  | 1 1.5 kg |
|  | 16 8 - 10 - 11 - 12 - 13 - 14 - 15 - 16
17 - 18 - 19 - 22 - 24 - 27 - 30 - 32 mm |  | 3 1.5 - 2 - 2.5 mm |
|  | 78mm |  | 2 PH0 - PH1 |
|  | 4 17 - 19 - 21 - 22 mm |  | 2 PZ0 - PZ1 |
|  | 2 16 - 21 mm |  | 7 T4 - T5 - T6 - T7 - T8 - T10 - T15 |
|  | 1 1/2"  |  | 4 0.7 - 0.9 - 1.3 - 1.5 mm |
|  | 1 1/2"  |  | 3 2 - 2.5 - 3 mm |
|  | 2 125 mm / 250 mm |  | 1 95 mm |
|  | 1 3/8"  |  | 1 160 mm |
|  | 1 1/2"  |  | 1 250 mm |
|  | 6 4 - 4.5 - 5.5 - 6 - 6.5 - 8 mm |  | 1 180 mm |
|  | 5 PH0 - PH1 - PH2 - PH3 - PH4 |  | 1 200 mm |
|  | 4 PZ0 - PZ1 - PZ2 - PZ3 |  | 1 200 mm |
|  | 6 3 - 4 - 5 - 6 - 7 - 8 mm |  | 1 LED |
|  | 5 2 - 3 - 4 - 5 - 6 mm |  | 60 |
|  | 14 T8 - T10x2 - T15x2 - T20x2
T25x2 - T27 - T30x2 - T40x2 |  | 5 |
|  | 8 TT8 - TT10 - TT15 - TT20 - TT25
TT27 - TT30 - TT40 |  | 6 |
|  | 4 4 - 6 - 8 - 10 mm |  | 1 250 mm |
|  | 4 No. 1 - No. 2 - No. 3 - No. 4 |  | 1 310mm |
|  | 3 6 - 8 - 10 mm |  | 1 300g |
|  | 1 1/4"  |  | 1 35 mm |
|  | 2 10 - 12 mm |  | 1 200 mm |
|  | 4 T45 - T50 - T55 - T60 |  | 1 5 X 19 mm |
|  | 4 TT45 - TT50 - TT55 - TT60 |  | 1 300 mm |
|  | 16 5.5 - 6 - 7 - 8 - 9 - 10 - 11 - 12 - 13 - 14
15 - 16 - 17 - 18 - 19 - 22 mm |  | |
|  | 2 24 X 27 mm - 30 X 32 mm |  | |
|  | 4 18 mm |  | |
|  | 10 18 mm |  | |
|  | 9 1.5 - 2 - 2.5 - 3 - 4 - 5 - 6 - 8 - 10 mm |  | |



495 x 179 x 390 mm / 17'900 g






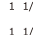


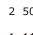









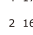




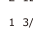








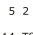


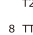










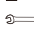





























Universal-Werkzeug-Werkstattwagen "Oelfass"

Servante d'outils universels, type "Baril de pétrol"

Universal tool cabinet "Oil Barrel"

283
PCS

1/4" 1/2" 4mm 1/4" 5/16"

- | | | | |
|---|--|---|--------------------------------------|
|  | 13 4 - 4,5 - 5 - 5,5 - 6 - 7 - 8
9 - 10 - 11 - 12 - 13 - 14 mm |  | 5 3,5 - 4,0 - 5,5 - 6,5 - 8,0 mm |
|  | 1 1/4"  |  | 1 6,5 mm |
|  | 1 1/4"  |  | 2 PH1 - PH2 |
|  | 2 50 mm / 100 mm |  | 1 PH2 |
|  | 1 110 mm |  | 1 1/4" |
|  | 1 1/4"  |  | 1 110 - 250 V |
|  | 1 1/4"  |  | 1 1,5 kg |
|  | 16 8 - 10 - 11 - 12 - 13 - 14 - 15 - 16
17 - 18 - 19 - 22 - 24 - 27 - 30 - 32 mm |  | 3 1,5 - 2 - 2,5 mm |
|  | 78mm  |  | 2 PH0 - PH1 |
|  | 5 10 - 12 - 13 - 14 - 15 mm |  | 2 PZ0 - PZ1 |
|  | 4 17 - 19 - 21 - 22 mm |  | 7 T4 - T5 - T6 - T7 - T8 - T10 - T15 |
|  | 2 16 - 21 mm |  | 4 0,7 - 0,9 - 1,3 - 1,5 mm |
|  | 1 1/2"  |  | 3 2 - 2,5 - 3 mm |
|  | 1 1/2"  |  | 1 95 mm |
|  | 45 1 1/2"  |  | 1 160 mm |
|  | 14 6 4 - 4,5 - 5,5 - 6 - 6,5 - 8 mm |  | 1 250 mm |
|  | 5 PH0 - PH1 - PH2 - PH3 - PH4 |  | 1 180 mm |
|  | 4 PZ0 - PZ1 - PZ2 - PZ3 |  | 1 200 mm |
|  | 6 3 - 4 - 5 - 6 - 7 - 8 mm |  | 1 200 mm |
|  | 5 2 - 3 - 4 - 5 - 6 mm |  | 1 LED |
|  | 14 T8 - T10x2 - T15x2 - T20x2
T25x2 - T27 - T30x2 - T40x2 |  | 60 |
|  | 8 TT8 - TT10 - TT15 - TT20 - TT25
TT27 - TT30 - TT40 |  | 5 |
|  | 4 4 - 6 - 8 - 10 mm |  | 6 |
|  | 4 No. 1 - No. 2 - No. 3 - No. 4 |  | 1 250 mm |
|  | 3 6 - 8 - 10 mm |  | 1 310mm |
|  | 1 1/4"  |  | 1 300g |
|  | 2 10 - 12 mm |  | 1 35 mm |
|  | 4 T45 - T50 - T55 - T60 |  | 1 200 mm |
|  | 4 TT45 - TT50 - TT55 - TT60 |  | 1 5 X 19 mm |
|  | 16 5,5 - 6 - 7 - 8 - 9 - 10 - 11 - 12 - 13 - 14
15 - 16 - 17 - 18 - 19 - 22 mm |  | 1 300 mm |
|  | 2 24 X 27 mm - 30 X 32 mm |  | 1 60 mm |
|  | 4 18 mm | | |
|  | 10 18 mm | | |
|  | 9 1,5 - 2 - 2,5 - 3 - 4 - 5 - 6 - 8 - 10 mm | | |



inkl. MwSt / T.T.C.
999.-
exkl. MwSt / H.T.
927.60

±D580 x H800 mm / 56'000 g



UMSCHALTKNARREN

CLIQUETS RÉVERSIBLES

REVERSIBLE RATCHET HANDLES

45



Art.	□	L
TC0121	1/4"	150 mm
TC0122	3/8"	200 mm
TC0123	1/2"	250 mm

Auf Blisterkarte
Sur carte blister
On blister card

inkl. Mwst / T.T.C.

TC0121 15.-

TC0122 18.-

TC0123 22.-

exkl. Mwst / H.T.

TC0121 13.95

TC0122 16.70

TC0123 20.45



118 g

260 g

565 g

KUGELKOPF-SECHSKANT-STIFTSCHLÜSSEL-SATZ

JEU DE CLÉS HEXAGONALES MÂLES,
TÊTE SPHÉRIQUE

BALLPOINT L-WRENCH HEX KEY SET

CrV

9
PCS

DIN / ISO 2936

1.5 – 2 – 2.5 – 3

4 – 5 – 6 – 8 – 10 mm

Auf Blisterkarte

Sur carte blister

On blister card

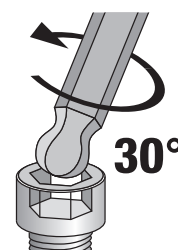
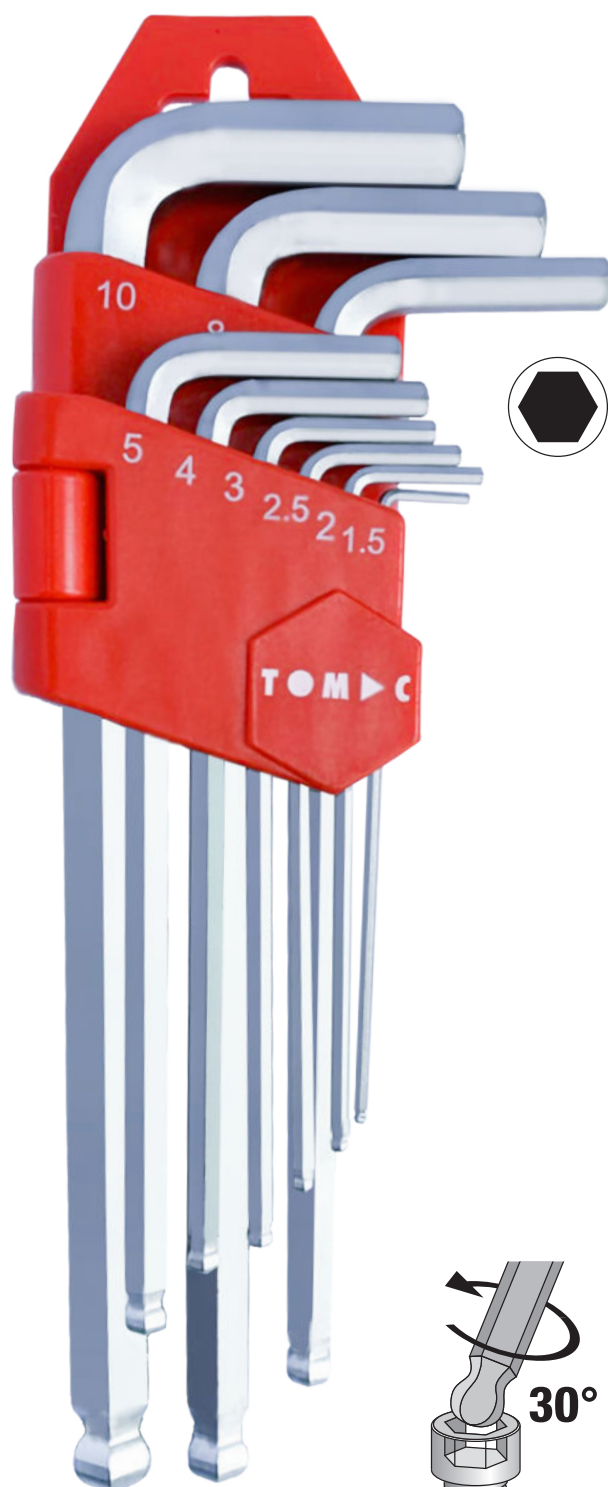
inkl. Mwst / T.T.C.

15.-

exkl. Mwst / H.T.

13.95

±195 x 72 x 28 mm / 250 g



T M C

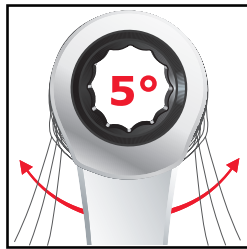
Art. TC0125

RATSCHEN-RINGGABELSCHLÜSSEL-SÄTZE
JEUX DE CLÉS COMBINÉES À CLIQUET
RATCHET COMBINATION SPANNER SETS

12
PCS

Art. TC0132

gerade / plat / straight



8 – 9 – 10 – 11 – 12 – 13 – 14

15 – 16 – 17 – 18 – 19 mm

⊕ 180 x 265 x 65 mm / 2060 g

Art. TC0131

inkl. Mwst / T.T.C.

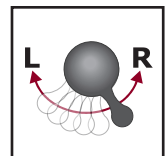
TC0132	95.-
TC0131	99.-
TC0130	25.-

exkl. Mwst / H.T.

TC0132	88.20
TC0131	91.90
TC0130	23.20



umschaltbar / réversible / reversible



Art. TC0130

4 in 1

⊕ 198 x 35 x 21 mm / 190 g



NEU
NOUVEAU

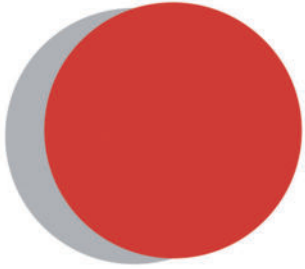
NEW

ab / à partir de / from
 04-2023

QUALITÄT aus ERFAHRUNG

QUALITÉ validée par l'EXPÉRIENCE

QUALITY from EXPERIENCE



M

LEUCHTEN

LAMPES



Seit / depuis / since 1992

C

LIGHTS



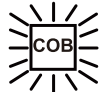





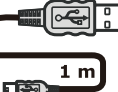


AKKU-LED-STIFTLUCHE

LAMPE STYLO LED RECHARGEABLE

RECHARGEABLE PEN LIGHT

inkl. Mwst / T.T.C.
19.50
 exkl. Mwst / H.T.
18.10

2 W

- | | | |
|---|--|--|
| 
2 W | 
1 W TOP | 
2 W: 3 h / 150 lm
2 W: 4 h / 50 lm |
| 
Li-ion
3.7 V
800 mAh | 
1.5 h | 
-10°C - 40°C |
| 
1 m
USB | 
OPTIONAL
USB
5V1A | 
IP 54 |

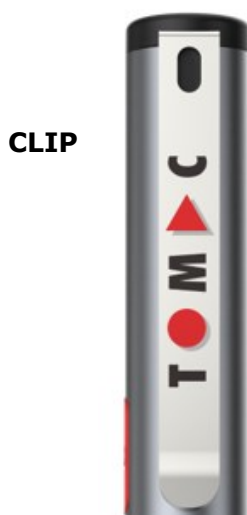
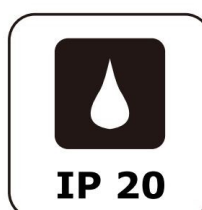
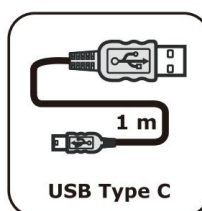
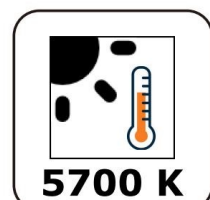
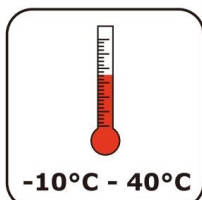
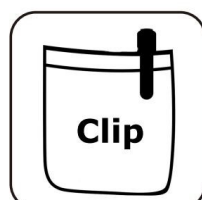
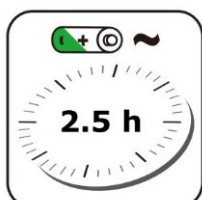
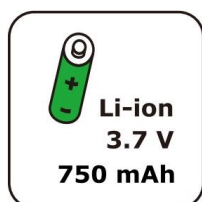
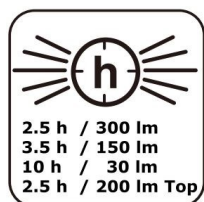
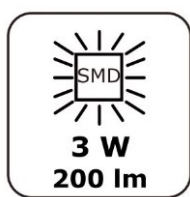
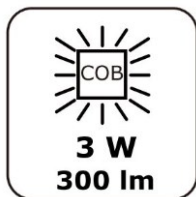


±168 x 23 x 30 mm / 125 g  

AKKU-LED-STIFTLUCHE

LAMPE STYLO LED RECHARGEABLE

RECHARGEABLE PEN LED LIGHT



↕ 160x17.3xØ13.8 mm / 92 g

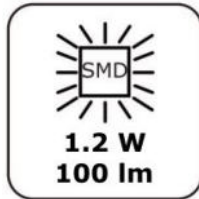


12 Stk./pcs.

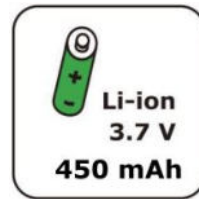
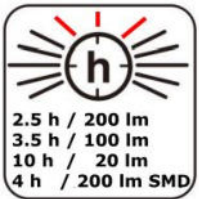
AKKU-LED-INSPEKTIONSLEUCHE

LAMPE LED D'INSPECTION RECHARGEABLE

RECHARGEABLE INSPECTION LED LIGHT



SMD



COB

8 mm

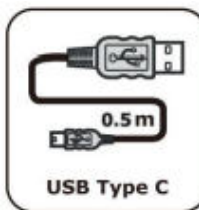
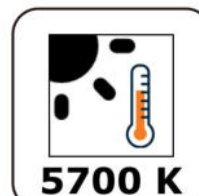
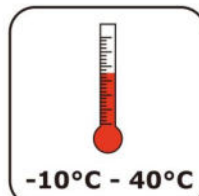
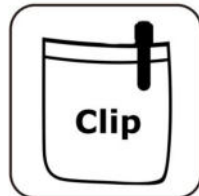
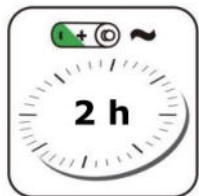


CLIP



ALUMINIUM

USB-C



122x25x12(8) mm / 79 g



30 Stk./pcs.



inkl. Mwst / T.T.C.

18.-

exkl. Mwst / H.T.

16.70

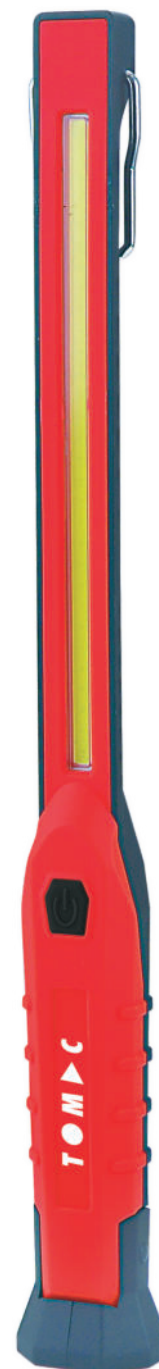
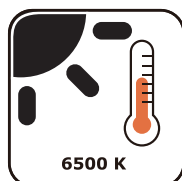
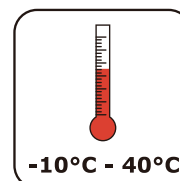
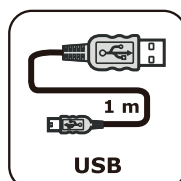
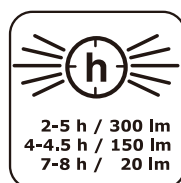
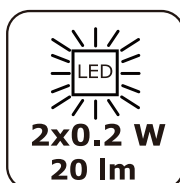
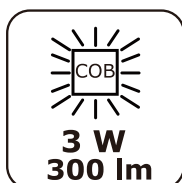


Art. TC0518

EXTRA FLACHE AKKU-LED-ARBEITSLEUCHE 2 IN 1

LAMPE DE TRAVAIL LED RECHARGEABLE EXTRA PLATE 2 EN 1

RECHARGEABLE SLIM LIGHT 2 IN 1



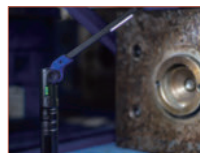
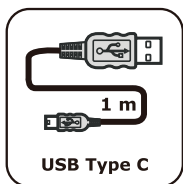
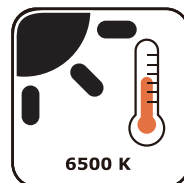
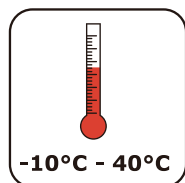
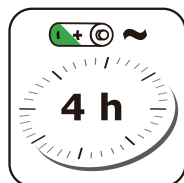
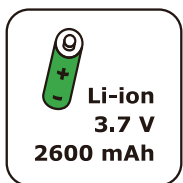
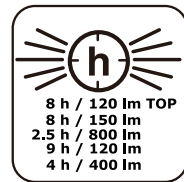
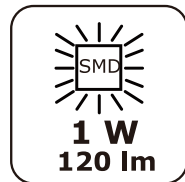
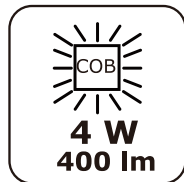
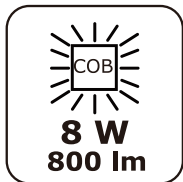
±360 x 40 x 34 mm / 230 g



KLAPPBARE, ULTRA-FLACHE HIGH POWER AKKU-LED-TASCHEN-ARBEITSLEUCHE

LAMPE LED DE POCHE RECHARGEABLE, PLIABLE - ULTRA-PLATE, HAUTE PUISSANCE

RECHARGEABLE HIGH POWER FOLDABLE POCKET SLIMLIGHT



±304 x 33 x 29 mm / 240 g



HOCHLEISTUNGS-AKKU-LED-ARBEITS-/INSPEKTIONS-LEUCHE 3 IN 1

LAMPE DE TRAVAIL / INSPECTION RECHARGEABLE LED HAUTE PERFORMANCE 3 EN 1

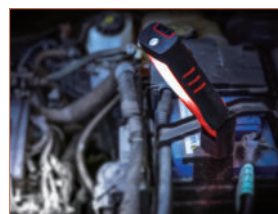
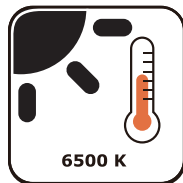
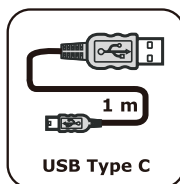
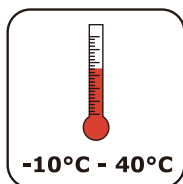
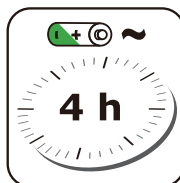
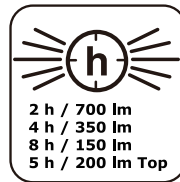
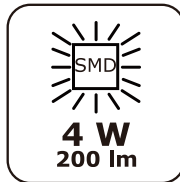
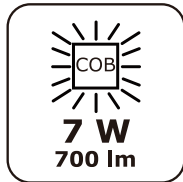
RECHARGEABLE INSPECTION AND POWER WORK LIGHT 3 IN 1

inkl. Mwst / T.T.C.

69.50

exkl. Mwst / H.T.

64.55

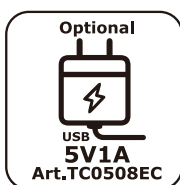
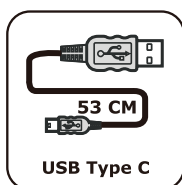
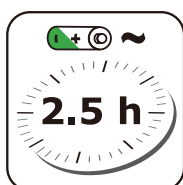
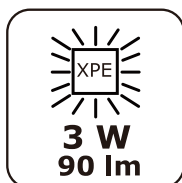
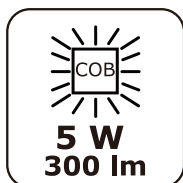


±260 x 53 x 39.3 mm / 580 g  

FLEXIBLE, EINSTELLBARE AKKU-COB-LED-STIRN-UND HELM-LAMPE MIT 5 LICHT-MODI

LAMPE FRONTALE ET DE CASQUE LED COB À BATTERIE, AJUSTABLE ET FLEXIBLE AVEC 5 MODES D'ÉCLAIRAGE

FLEXIBLE, ADJUSTABLE RECHARGEABLE COB LED HEAD AND HELMET LAMP WITH 5 LIGHT MODES



COB 100 %



COB DIM



XPE 100 %



XPE DIM



Sensor Motion



230°

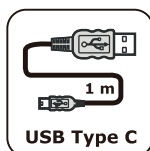
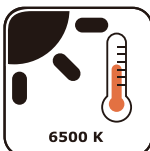
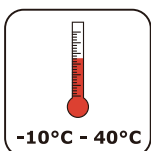
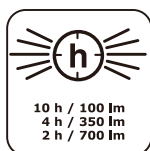
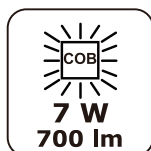


Strobe
Blinken
Clignoter

TASCHEN-FLUTLICHT-LEUCHE

PROJECTEUR DE POCHE

POCKET FLOOD LIGHT



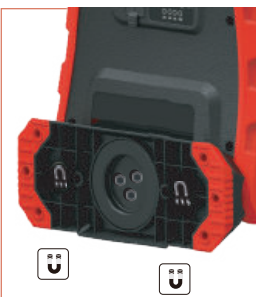
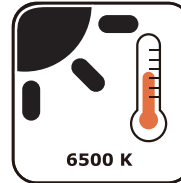
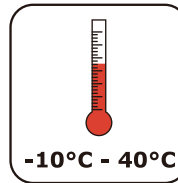
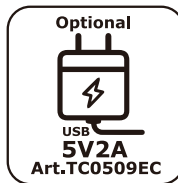
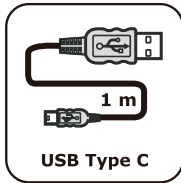
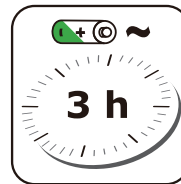
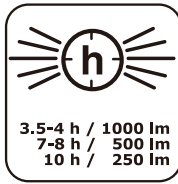
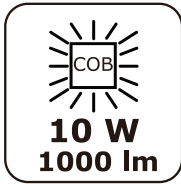
∅93 x 88.5 x 30 mm / 375 g



LED-AKKU-BAUSTRAHLER UND USB-POWER BANK

PROJECTEUR DE TRAVAIL LED RECHARGEABLE ET POWERBANK USB

RECHARGEABLE FLOOD LIGHT AND USB-POWER BANK

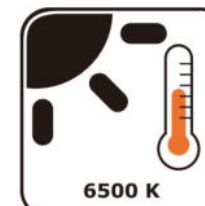
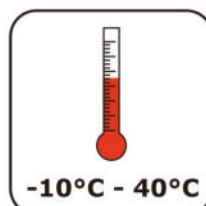
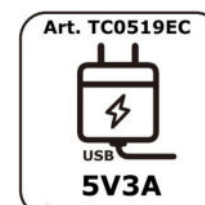
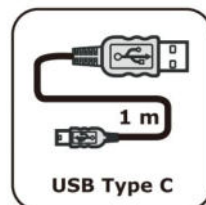
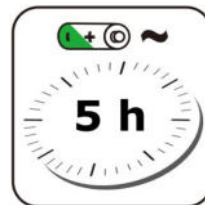
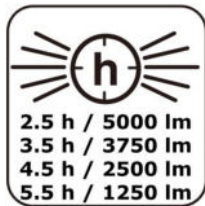


±175 x 135 x 55 mm / 550 g  

LED-AKKU-BAUSTRAHLER UND USB-POWERBANK

PROJECTEUR DE TRAVAIL LED RECHARGEABLE ET POWERBANK USB

RECHARGEABLE FLOOD LIGHT AND USB-POWERBANK



inkl. Mwst / T.T.C.
160.-
exkl. Mwst / H.T.
148.55



Adapter
Adaptateur
5V 3A

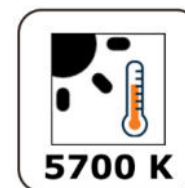
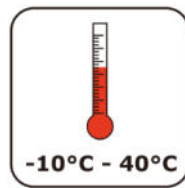
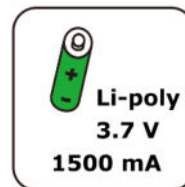
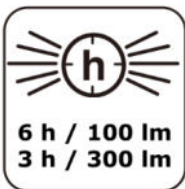
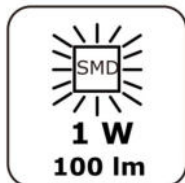
254 x 65 x 260 mm / 1'700 g



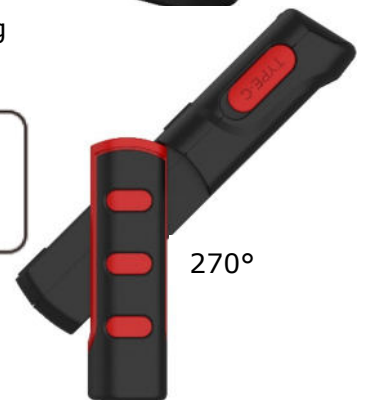
HOCHLEISTUNGS-AKKU-LED-ALLZWECK-TASCHENLAMPE MIT INDUKTIONS-SCHNELL-LADESTATION

LAMPE À LED DE POCHE MULTI-USAGE SANS FIL DE HAUTE PERFORMANCE AVEC BASE À INDUCTION DE CHARGE RAPIDE

HIGH PERFORMANCE CORDLESS ALL PURPOSE POCKET LED LAMP WITH INDUCTION QUICK CHARGING BASE



25 x 68 x 133 mm / 185 g



Adapter
Adaptateur

5V 4A

Magnet-Schnell-Ladestation
Base magnétique de charge rapide
Magnetic quick charge base



TOMC

NEU
NOUVEAU

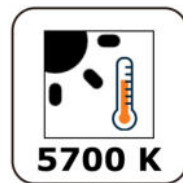
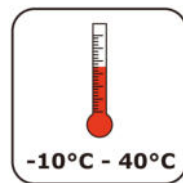
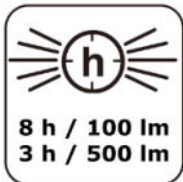
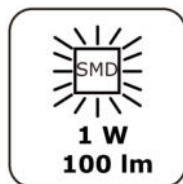
NEW
ab / à partir de / from
04-2023

Art. TC0521

HOCHLEISTUNGS-AKKU-LED-ARBEITS-/INSPEKTIONS-LEUCHE MIT INDUKTIONS-SCHNELL-LADESTATION

LAMPE À LED DE TRAVAIL/D'INSPECTION SANS FIL DE HAUTE PERFORMANCE AVEC BASE À INDUCTION DE CHARGE RAPIDE

HIGH PERFORMANCE CORDLESS WORK-/INSPECTION LED LAMP WITH INDUCTION QUICK CHARGING BASE



COB



SMD



SMD



270°

205 x 55 x 40 mm / 444 g



Adapter
Adaptateur

5V 4A

Magnet-Schnell-Ladestation
Base magnétique de charge rapide
Magnetic quick charge base



inkl. MwSt / T.T.C.

79.50

exkl. MwSt / H.T.

73.80

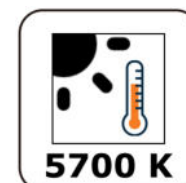
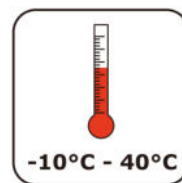
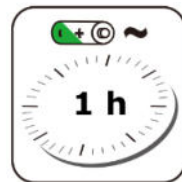
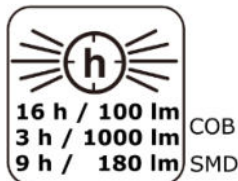
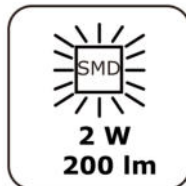


Art. TC0522

HOCHLEISTUNGS-AKKU-LED-ARBEITS-/INSPEKTIONS-LEUCHE MIT INDUKTIONS-SCHNELL-LADESTATION

LAMPE À LED DE TRAVAIL/D'INSPECTION SANS FIL DE HAUTE PERFORMANCE AVEC BASE À INDUCTION DE CHARGE RAPIDE

HIGH PERFORMANCE CORDLESS WORK-/INSPECTION LED LAMP WITH INDUCTION QUICK CHARGING BASE



Magnet-Schnell-Ladestation
Base magnétique de charge rapide
Magnetic quick charge base

259 x 59 x 40 mm / 507 g



inkl. MwSt / T.T.C.
89.50
exkl. MwSt / H.T.
83.10

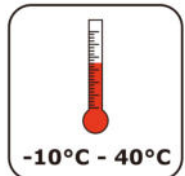
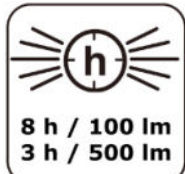
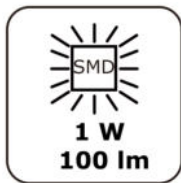


Art. TC0523

KLAPPBARE, ULTRA-FLACHE HOCHLEISTUNGS-AKKU-LED-ARBEITS-/INSPEKTIONS-LEUCHE MIT INDUKTIONSSCHNELL-LADESTATION

LAMPE À LED DE TRAVAIL/D'INSPECTION SANS FIL DE HAUTE PERFORMANCE, PLIABLE ET ULTRA-PLATE AVEC BASE À INDUCTION DE CHARGE RAPIDE

HIGH PERFORMANCE CORDLESS FOLDABLE ULTRA SLIM WORK-/INSPECTION LED LAMP WITH INDUCTION QUICK CHARGING BASE



Adapter
Adaptateur

325 (175) x 43 x 36 mm / 396 g

Magnet-Schnell-Ladestation
Base magnétique de charge rapide
Magnetic quick charge base



inkl. Mwst / T.T.C.

85.-

exkl. Mwst / H.T.

78.90



Art. TC0524



ALLE PREISE IN CHF / TOUS LES PRIX EN CHF

2023-1

T O M C  **R · PETER AG**
The Private Label Company